



The ideal conditions are at least 18 °C, and no higher than 28 °C for 48 hours before installation, during installation and after installation completion.

extreme temperature prior to installation

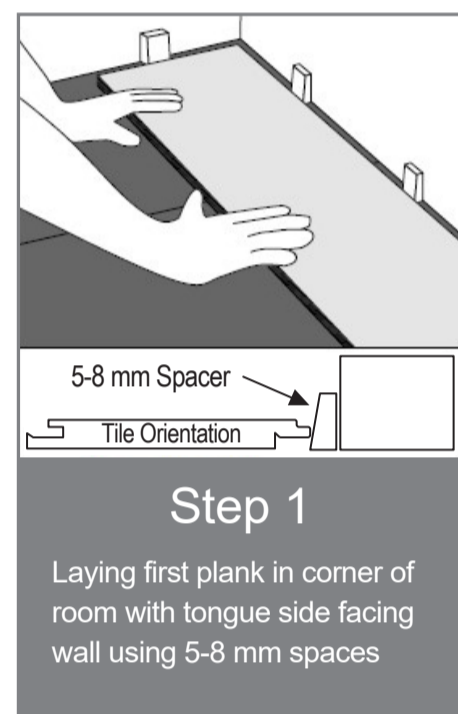
Should your SPC click flooring be exposed within the 12 hours prior to installation for over 2 hours to extreme temperature (under 5 °C or over 50 °C) (which may be due to storage in vehicles or transport to site), acclimatisation is required at a room temperature between 18 °C to 28 °C for a minimum of 24 hours, in unopened package prior to installation. Ensure individual stacks are no more than 3 packs high and they are spaced at least 200mm apart to allow airflow between stacks. The temperature must remain between 18 °C to 28 °C for the entire installation period and a minimum of 48 hours after installation completion. The ambient relative humidity in the installation area should be maintained at 30%-60% to prevent condensation forming under the laid flooring.

sub floor testing and preparation

- Subfloors must be clean, dry, flat and structurally sound.
- Concrete floors should be checked with a straight edge 2m long. When the straight edge is placed at rest on the subfloor no part of the surface shall be more than 3mm below the length of the straight edge.
- Depressions and cracks must be filled using a suitable approved levelling compound in accordance with the manufacturer's instructions. All irregularities must be levelled.
- Timber, plywood and particleboard subfloors, must be checked for any loose boards/panels or excessive deflection or movement. If loose boards are found or movement is excessive, the subfloor should be repaired and damaged boards replaced. Then if required, sanded to a level, smooth and dust free surface.
- The floor can be installed over most existing floor covering (e.g. ceramic tiles, linoleum, PVC etc.) provided the floor is flat, dry and in the case of ceramics in a residential installation, grout line tolerance are no more than 3mm wide and 3mm deep. Otherwise, grout joints should be filled to the level of the tiles with a suitable leveller. Carpet, carpet underlay and/or existing floating floors are not a suitable subfloor.

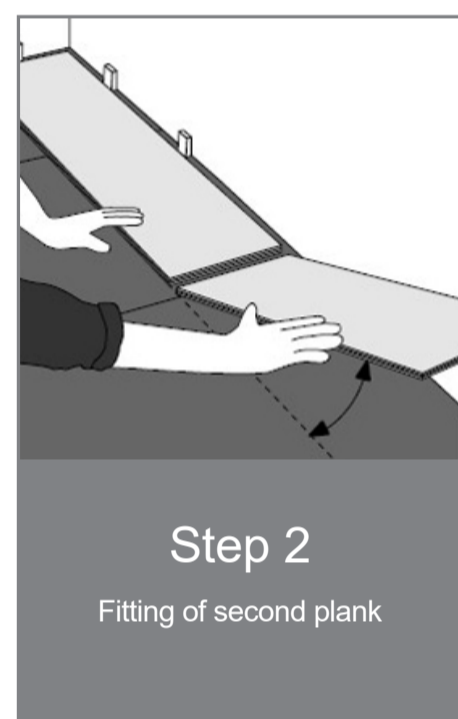
Installation: Make sure you have read the entire instructions before installing

Uniclic system can be clicked together simply without using glue. Uniclic has increasing flexibility because the plank can be installed over existing floors such as natural wood, concrete, vinyl, linoleum, and even ceramic.



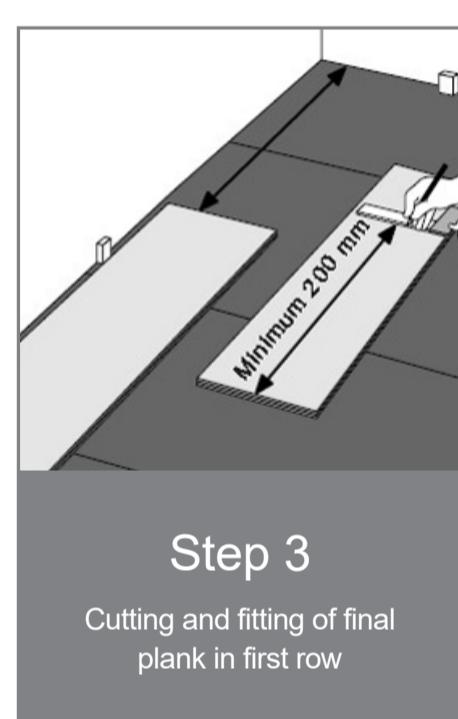
Step 1 – laying of first plank with tongue side facing wall using 5-8 mm spacers

The planks will be installed starting in the corner of the room on the left side of the starting wall. Always work from left to right in the laying area, with the plank's tongue side facing the wall. Make sure that there's a continuous expansion joint of 5-8 mm in width all around by using appropriate spacers.



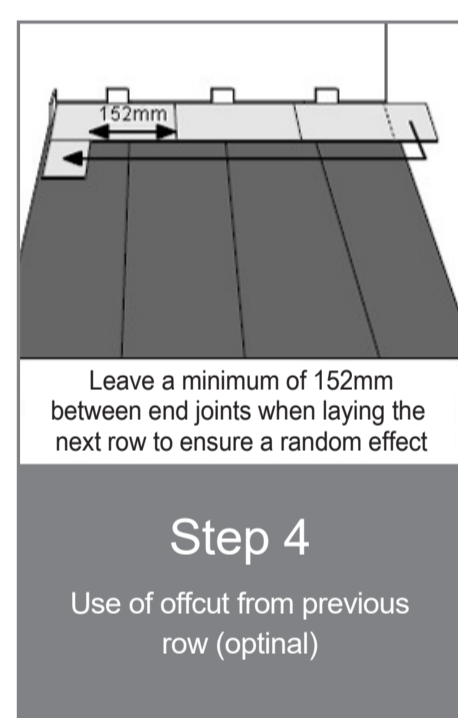
Step 2 – Fitting of second plank

Attach the second plank by laying the end connection at an angle accurately on top of the first plank and drop into position ensuring that the short edges of both planks are aligned. Continue this process across the room until the maximum number of full length planks can be fitted together. Measure the remaining space, cut a plank to suit and fit into place, allowing for the required expansion gap.



Step 3 – Cutting and fitting of final plank in first row

TIP: if the last plank is less than 200 mm in length, it is recommended that a small section be cut from the other end of the row, which can be slid across the room to create space for a larger infill of plank. To install the next row, again starting from the left hand side, set the tongue of the first plank into the groove of the already fitted row at an angle of about 20°-30° and lower it into place.



Step 4 - Use of offcut from previous row (optional)

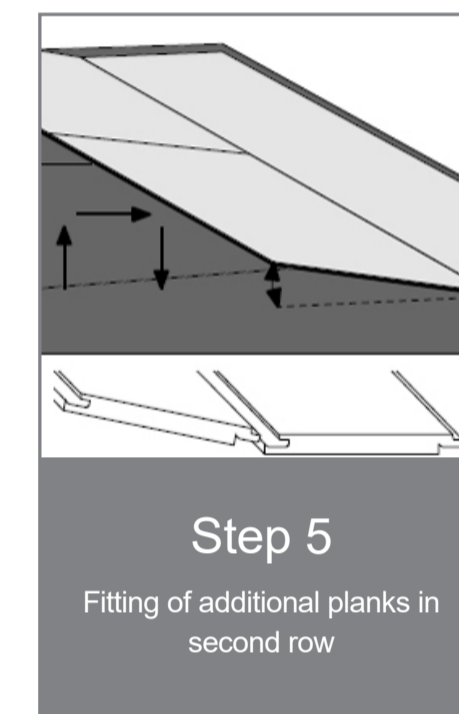
TIP: the offcut from the first row can be used as the first plank in the second row if the joints are well separated.

For a more pleasing appearance, the floor should be installed with a staggered random length for the starting planks in each row. Be careful not to create a repeating pattern. For example, start the first row with a whole plank, second row with 1/3 of a plank, third row with 2/3 of a plank, then a whole, then 1/2, then 1/4, then back to whole, then short, then medium, etc. Alternating the length of the starting plank on each row will avoid creating a zigzag or stair step pattern in the floor. Ensure that the end joints are staggered by at least 152 mm.

The second plank in this row should be located against the short edge of the first plank and the tongue of the long edge gently pushed into the exposed groove section of the planks in the first row.

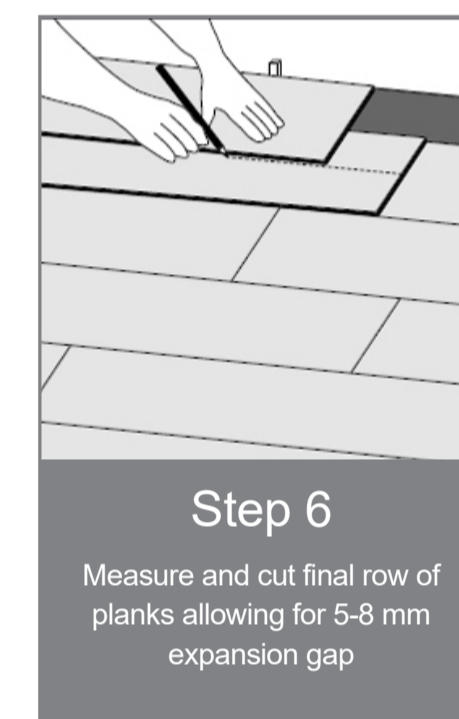
It may be necessary to lift both planks slightly from the floor to get a good fit.

The tapping block and mallet can be used if necessary to complete the final locking of the planks together. Do not tap the groove directly with the mallet and any force that is applied should be kept to a minimum.



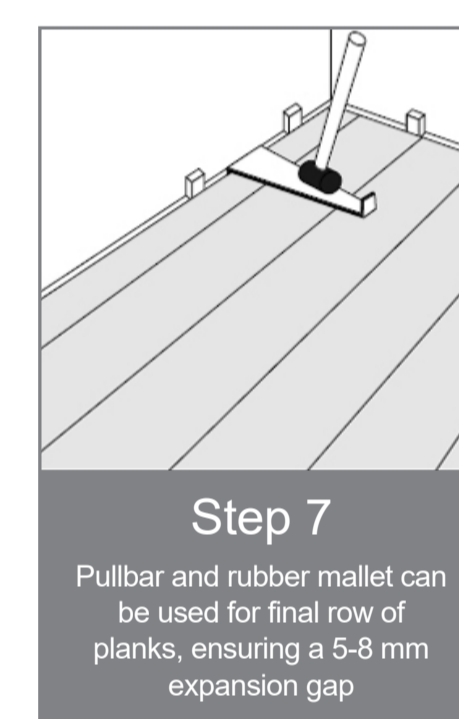
Step 5 – Fitting of additional planks in second row

Continue across the room until the second row is completed. Repeat this procedure for all subsequent rows until all full width planks have been fitted.



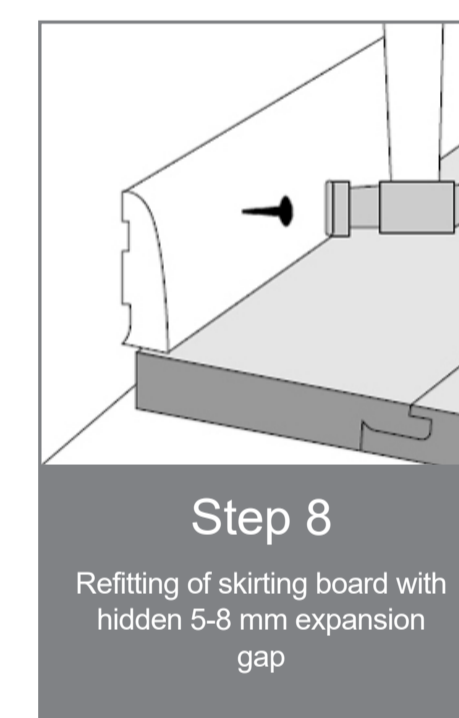
Step 6 – Measure and cut final row of planks allowing for 5-8 mm expansion gap

To lay the last row the distance between wall is measured and planks can be cut to size, again allowing for expansion gaps.



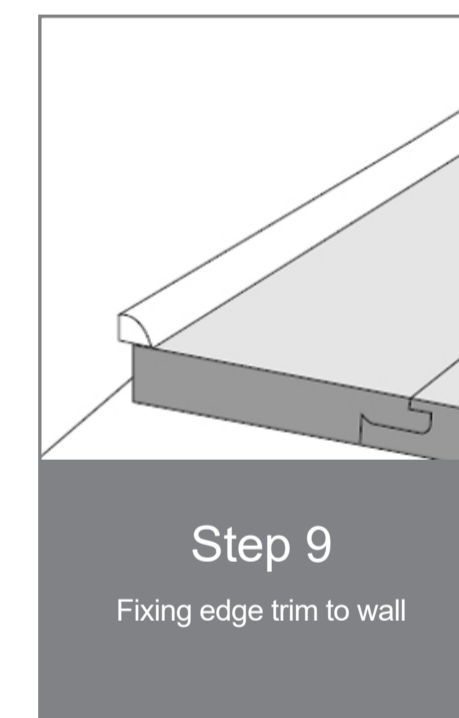
Step 7 – Pullbar and rubber mallet can be used for final row of planks, ensuring a 5-8 mm expansion gap

The use of a pullbar in conjunction with a rubber mallet is recommended for ensuring the tongues and grooves of the final two rows are well connected.



Step 8 – Refitting of skirting board with hidden 5-8 mm expansion gap

Remove all spacers. When replacing skirting boards or fitting edge trim and any other items, for example furniture or shelving, these should never be fixed (such as fastened, screwed, or nailed) to the planks, or through the planks to the base – the floor must remain as a floating installation.



Step 9 – Fixing edge trim

A suitable edge trim of your choice can be used to cover expansion gaps. These should be fixed to the skirting or wall and not to the flooring.

underlay

Your SPC click flooring has its own pre-adhered acoustically rated (BCA compliant) 1.0mm IXPE underlay, so there is no need for additional underlay.

wet areas

Although SPC click flooring is waterproof, it SHOULD NOT be used as a moisture barrier, and SHOULD NOT be installed in areas that have a continual risk of excessive moisture/flooding such as saunas or outdoor areas.

• If your SPC click flooring is being installed in wet area (e.g. bathroom, laundry etc.), follow the instructions set out in the installation procedure.

• Additionally:

Separate/isolate the wet area from the balance of the floor/area with an expansion trim or similar at the doorway or other adjoining areas.

• Seal the perimeter of the floor using a bathroom grade silicone to prevent moisture seeping under the floor. DO NOT allow water to pool on the floor for long periods of time. Wet towels or bath mats SHOULD NEVER be left on the floor dry.

perimeter / expansion gaps

Leave an expansion joint of minimum 4-5 mm on all sides of the floor, around pipes, thresholds, under doors and around any fixed/stationary objects (floor vents, kitchen islands, etc). The expansion joint size can be adjusted according to the installation area of the room, and normally is 5-8 mm. For installation over large areas or in between multiple rooms that exceeds a total of 30m in length or 15m in width, a 10mm expansion gap is required within the floor or between rooms. A trim or skirting/scotia can be used to cover this gap, ensuring the floor is not pinned to the substrate or vertical surfaces. Silicone or caulking compound is not recommended.

Note: for installations that include the floor passing through possible pinch-points, for example doorways and transitional areas from smaller passageways to larger rooms, consideration should be given to additional expansion allowance at these points.

tools required

- t-square
- pencil
- straight edge
- pull bar
- utility knife
- safety glasses
- jig saw
- tape measure
- 5mm to 8mm spacers